

AnywhereUSB®

Network-Enabled USB Hub

AnywhereUSB is a network-enabled USB hub that connects peripheral devices anywhere on a Local Area Network – without a locally-attached host PC.



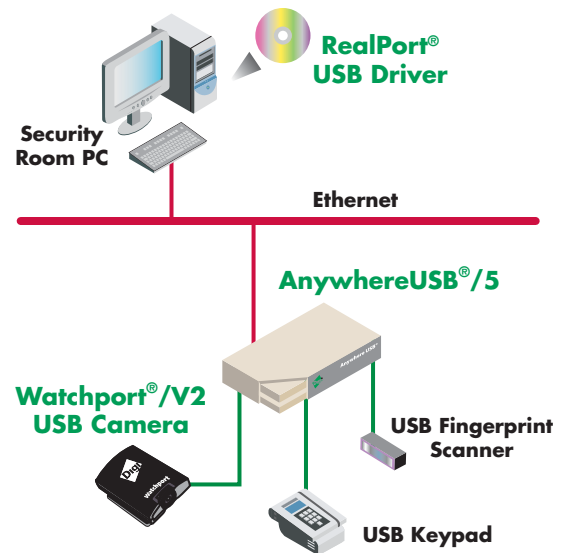
Overview

AnywhereUSB hubs, featuring patented USB over IP technology, make it easy to connect two to five USB devices anywhere on a wired or wireless network – without locally attached host PCs. The AnywhereUSB TS model also adds up to four RS-232 serial ports, enabling the mixing of USB and serial ports on the same network connection.

AnywhereUSB software drivers are loaded onto a host PC or server so that remote devices may communicate with the host, without changing existing application software. Drivers work equally well in physical servers or virtual machines in virtualized environments. Peripheral devices can be centrally managed and monitored from a remote server or PC via an IP address.

Relocating the host PC to a remote location translates to smaller workstations, enabling deployment without a local PC in kiosks, ATMs, restaurant kitchens, manufacturing lines or any hostile or non-secure area where having a local PC is not practical.

Application Highlight



Features/Benefits

- Network-enabled USB hub easily connects any USB device to a LAN
- Ideal for connecting USB and serial devices over the network in virtualized environments such as VMware
- Creates systems redundancy and increases security since host PC can be moved to a remote location
- Access and monitor USB and serial devices over a TCP/IP connection
- Simplifies operations and reduces IT support
- Compatible with bulk or interrupt type USB devices

Related Products



Watchport® Camera



Watchport® Sensors



Edgeport® Family



Platform

AnywhereUSB®/2

AnywhereUSB®/5

AnywhereUSB® TS

Interfaces

10/100Base-T Ethernet	1 RJ-45		
USB	2	5	4
Serial	-	-	4 RS-232 RJ-45

Features

IP Address	1 static (fixed) address per unit		
LEDs	System and Device status		
Power Supply	Ships with 120/230VAC 60/50 Hz at 5VDC @ 3 Amps max		
Other Shared Features	Remote configuration utility; Multiple units supported per server; Field-upgradable software and firmware; Patented RealPort (serial over IP) and RealPort USB (USB over IP); RJ-45 crossover cable		
Serial Data Rates	-	-	Up to 230 Kbps per port
USB Data Rates	Up to 12 Mbps per port		
USB Downstream Power	500 mA per USB device		
USB Compatibility	USB 1.0, 1.1, 2.0 (USB 2.0 devices operate at 12 Mbps)		
Operating Systems	Windows® Vista, Windows Server® 2008, Windows XP, Windows Server 2003, Windows XP Embedded, Windows NT®, Windows NT Embedded, Windows 2000		
Dimensions (L x W x H)	2.38 in (6.04 cm) x 3.9 in (10.0 cm) x 1.0 in (2.54 cm)	4.35 in (11.05 cm) x 7.20 in (18.29 cm) x 1.03 in (2.61 cm)	
Weight	5.0 oz (141.8 g)	10.0 oz (283.5 g)	

Environmental

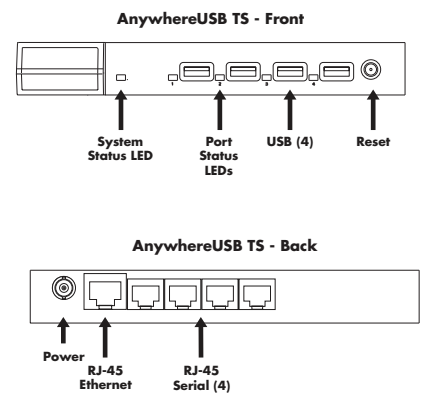
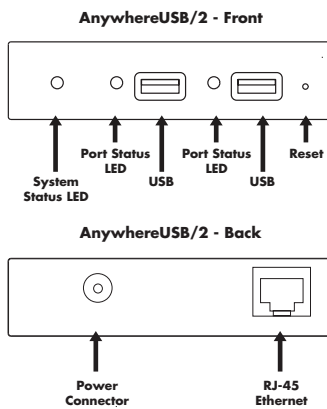
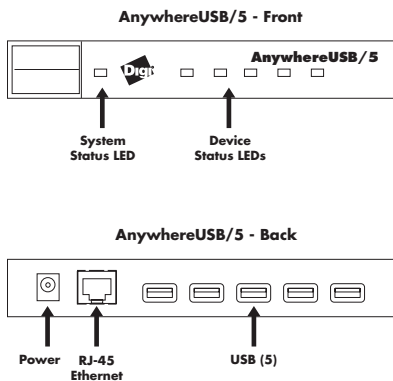
Operating Temperature	32° F to 140° F (0° C to 60° C)		
Relative Humidity	0% to 95% (non-condensing)		

Network and Device Recommendations

Network Type	100 Mb switched Ethernet per AnywhereUSB		
USB Device Types	Compatible with bulk or interrupt type USB devices; Isochronous devices not supported		

Regulatory Approvals

Safety	UL 1950/CSA 2.2 No. 950, EN60950, IEC-950		
Emissions/Immunity	CE, FCC Part 15 (Class B), EN55022, EN55024		



Visit www.digi.com for part numbers.

Secure online ordering 24/7/365 from



International Headquarters:
707 Dayton Rd. - P.O. Box 1040 - Ottawa, IL 61350 USA
www.bb-elec.com

Phone: 815-433-5100
Fax: 815-433-5104

orders@bb-elec.com
support@bb-elec.com

European Headquarters:
Westlink Commercial Park Oranmore, Co. Galway, Ireland
www.bb-europe.com

Phone: +353 91 792444
Fax: +353 91 792445

orders@bb-europe.com
support@bb-europe.com