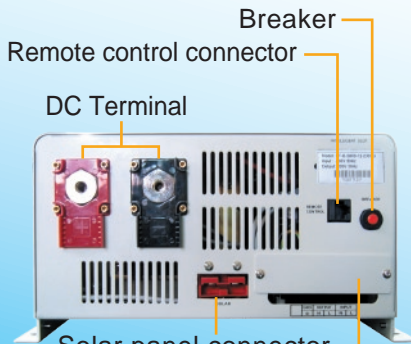




HT-B-S800-12



FAN



Breaker

Remote control connector

DC Terminal

Solar panel connector

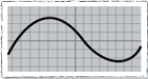
AC volt



GND	OUTPUT		INPUT	
	N	L	N	L

1. Pure sine wave inverter built in battery charger.
2. LCD panel display.
3. AVR design function.
4. By pass function.
5. Support solar panel (solar charger controller) --- option.
6. Green power function --- option.
7. Generator starter function --- option.

SPECIFICATION

Model No.	HT-B-S800-12	
Inverter		
DC input volt	12V	
Volt range	10.0-16.0VDC	
Surge power	1600W	
Continuous power	800W	
Wave form	Pure Sine Wave 	
AC voltage	100V / 120V / 230V	
Frequency	50/60Hz±3%	
AC Regulation	±5%	
No load current draw	4.3A	
Bat. low alarm	11.0±0.5V	
Bat. low shutdown	10.5±0.5V	
Over voltage	15.0±0.5V	
Bat .Polarity Reverse	Fuse burn out	
Over load	shutdown	
By pass function	Yes	
Low AC input volt transfer to inverter mode	90Vac+/-3% or 180Vac +/-3%	
Low AC input volt recovery to AC mode	80Vac+/-3% or 190Vac +/-3%	
High AC input volt transfer to inverter mode	135Vac+/-3% or 270Vac +/-3%	
High AC input volt recovery to AC mode	130Vac+/-3% or 260Vac +/-3%	
Charger		
Output current	20A max.	
AC input volt	60~135Vac or 120~270Vac.	
Frequency	50/60Hz	
Power factor	0.8	
Recommended Battery Type	Lead acid	
Recommended Battery Size	100-350AH	
PROTECTION		
Over load protection	Yes, alarm twice per second	
Low battery volt	Yes, alarm every second	
Inverter failed	Yes, alarm continuously	
Over temperature	55°C ±5°C	
ENVIRONMENT		
Working temp.	-20°C ~50°C	
Storage temp.	-25°C ~70°C	
Working humidity	20%~90% RH non-condensing	
Storage humidity	-22°F~+158°F, 10~95% RH	
Temp. Coefficient	±0.05°C(0~55°C)	
OTHERS		
Dimension(LxWxH)	400*298*150mm	
Net weight	14.8kgs	
Whole package dimension & Weight	515*375*250mm / 16.7kgs	
Extra Function		
Solar charger controller (50A) + Green power	Optional (Model no.: HT-B-S800-12SG)	
DC prior + Generator starter	—	

