

The First High Precision Logic Analyzer
 Creatin High Nicety Signal Measurement Analysis

PC-Based Logic Analyzer
 LAP-B Series



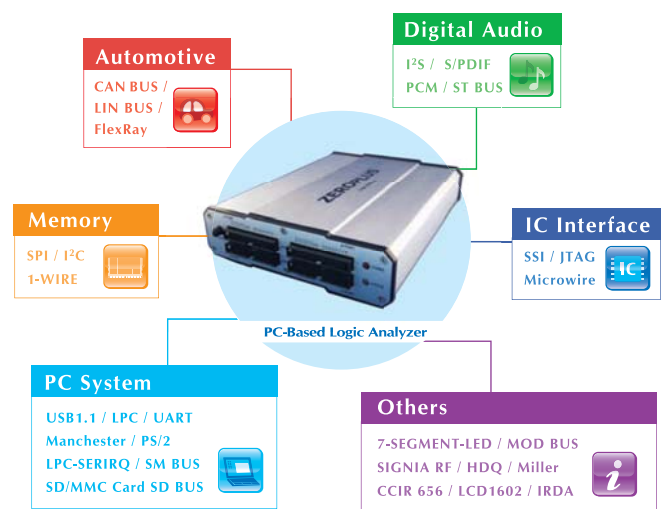
Logic Analyzer

Product Feature

Integrate data bit logic resolving project ;
 Save time cost effectively

- Using USB2.0 (1.1) to transmit data.
- The operating system to support computer has Window98SE/ME/2000/XP/Vista.
- Testing channel has 70 channel, per channel has 2K~2MBit RAM size.
- All input signals in range of 0~100MHz can use 200MHz frequency to sample, which can get 5ns high resolution.
- External Synchronous State Analysis Frequency 150MHz.
- Supplying three status signals can match with other Instrument to use, for example Oscilloscope.
- Supply communication protocol I²C, UARK, SPI, 1-Wire, HDQ, CAN BUS, UBS1.1, I²S for analysis displaying in DATA BUS and PACKAGE LIST, in order to upgrade work efficiency; New function continues to increase.
- Supply customer with communication protocol analysis software design service, helping create best test tools.
- Firstly create data compression patent function, matching 2³² =4,294,967,295 time hardware compression circuit, in order to make RAM deposit much more data (TW.Pat.206912)/(UK.Pat.2411482).
- Have the Enable, Enable Bar and Enable Delay functions which are similar to the Filter, in order to achieve sampling best (TW.Pat.271532).
- Design diversified Trigger function, in order to let user analyze waveform more handy · for example Trigger Count, Trigger Delay, Trigger Position, Trigger Level, Trigger Page (TW.Pat.1244266).
- Better quality and Cost less is the best love of Electron Field and Science Unit.
- The software edition is auto-renewed through the wires, and you can take the new software easy to use forever.

Bus Fields of Application



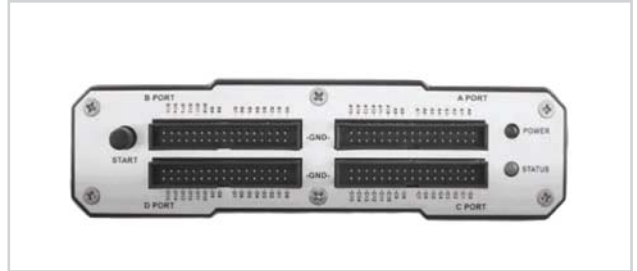
Product Characteristic

Channel Count is added to 70CH

Channel Count is added to 70CH (Test Channel*64CH+External Trigger*3CH+External Synchronous Signal*3CH)

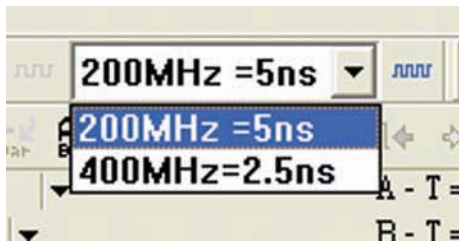


Side View (External Trigger*3CH+External Synchronous Signal*3CH)



Rear View (Text Channel*60CH)

The Sampling Rate is upgraded to 400MHZ

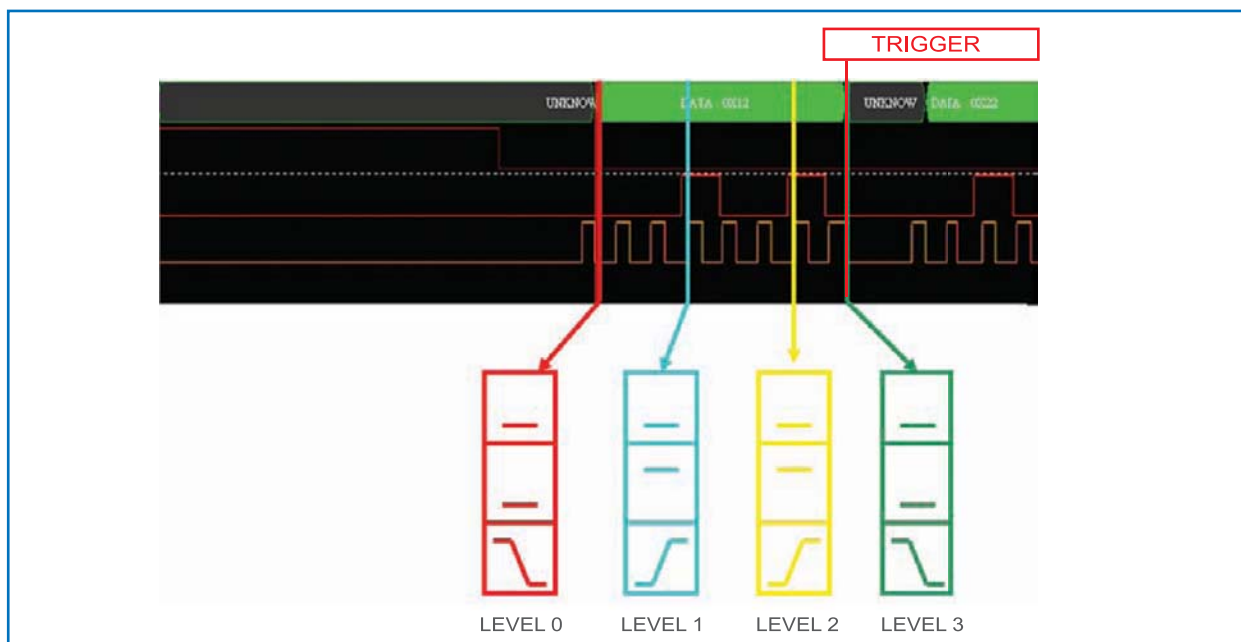


Compression Function

The compression rate can reach to 2^{31} (The original RAM Size is 256KB, which can memory about 549TB). All input signals in range of 0~100MHz can use 200MHz frequency to sample, which can get 5ns high resolution.

Trigger Function

Multi-Layer Trigger: It can set many layers trigger condition, for example one A condition, one B condition, it requires B condition to trigger when A condition has come into existence for a long time, Which is defined by user, analogically, the relationship between one condition and another condition



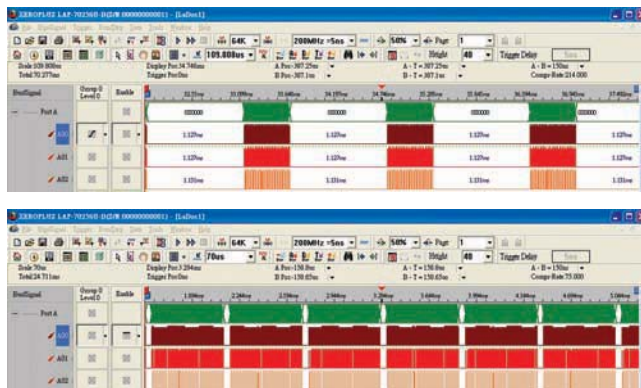
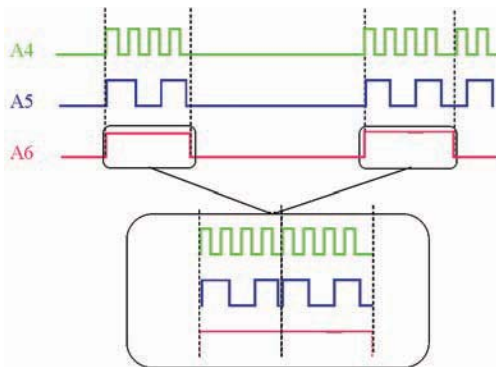
Special Bus Analysis

Starting the special bus analysis function, you may hand over by LA the numerous and diverse data to decode, no longer needs to penetrate the user voluntarily analyze data, which reduces time and error rate, when engineer judges voluntarily the complicated data. Besides the provided I²C, UART, SPI, 1-WIRE, HDQ, CAN BUS, USB1.1 serial signal decoding, we can provide customized serial signal analysis as your requirement, L A can demonstrate the different series signal decoding in the same triggering.



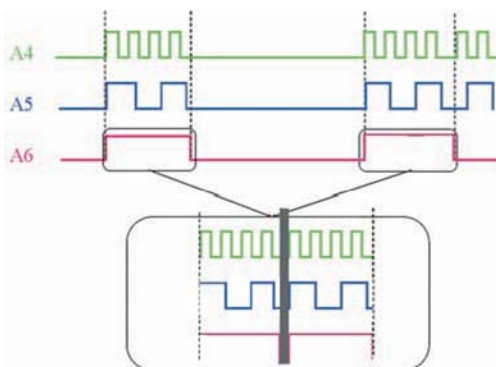
Enable delay

Waveform enable and enable delay technology can filter the unnecessary signal, in order to make use of the memory saving the valuable data and achieve the analysis optimization (TW.Pat.1271532)



Enable bar

Using Enable bar function makes the memory save the valuable signal, and save the filtered time perfectly. Enable bar can customize its width.



LAP-B Series Product Specification

Product model		LAP-B (70256)	LAP-B (702000)
Operating System		Windows	
		98SE/ME/2000/XP/Vista	
Interface		USB2.0(1.1)	
Sample rate	Internal Clock (Timing Mode)	200MHz / 400MHz*	
	External Clock (State Mode)	Max 150MHz	
Threshold Voltages	Bandwidth	100MHz	
	Working Range	-6V~+6V	
	Accuracy	±0.1V	
Memory	Memory	17.5Mbits	140Mbits
	Depth (Per Channel)	256Kbits (Max 128Kbits x 2 ³² for compression)	2Mbits (Max 1Mbits x 2 ³² for compression)
Trigger	Condition	Pattern/Edge/Wide	
	Trigger Channel	70CH	
	Pre/Post Trigger	YES	
	WaveformTrigger Width	YES	
	Trigger Level	9 Level	16 Level
	Trigger Count	1~65535	1~65535
Bus / Protocol (Keep Increasing)	I ² C / UART / SPI	Free	Free
	1-WIRE / HDQ / I ² S	Free	Free
	CAN BUS / USB 1.1	Free	Free
	PS/2	Free	Free
	Microwire	Free	Free
	SSI	Free	Free
	Manchester	Free	Free
	Lin Bus	Free	Free
	Miller	Free	Free
	7-SEGMENT LED	Free	Free
	SIGNIA RF MODULE	Option	Option
	S/PDIF	Option	Option
	LPC Bus	Option	Option
Software Functions	Operating Interface Language	Chinese (Simplified/Traditional)/English	Chinese (Simplified/Traditional)/English
	Time Base Range	5ps~10Ms	5ps~10Ms
	Vertical Sizing	1~5.5	1~5.5
	Enable Delay	YES	YES
	Data Compression	128Kbits x 2 ³²	1Mbits x 2 ³²
	Width Display	YES	
	Trigger Page	1~8192 Pages	
	Enable Bar	YES	
	Trigger Delay	YES	
	Infinite Increase Spacer Bar	YES	
	Automatic Zoom in of Spacer Bar	YES	
	Automatic Software Upgrade	YES	
	Data Range Selectable	YES	
	Data Counter	YES	
Bus Inquiry and Counter	YES		
Phase Errors	<1.5ns		
Power	AC100~240V,50~60Hz		
Maximum Input Voltage	±30V		
Impedance	500KΩ/10pF		
Safety Certification	FCC/CE		

* When Sample rate is 400MHz,Compression and enable are disabled.



Taipei Sales Office : 2F., No.123, Jian Ba Rd., Chung Ho City, Taipei County, R.O.C.
 Tel:+886 2-6620-2225#223 Fax:+886 2-2223-4362
 Hsinchu Sales Office : 6F., No.265, Wuling Rd., North District, Hsinchu City 300, Taiwan, R.O.C.
 Tel:+886 3-542-6637#87 Fax:+886 3-542-4917
www.zeroplus.com.tw

