

Senses 5120S

Features



Image shown is of Senses 5150S - 15.0" model

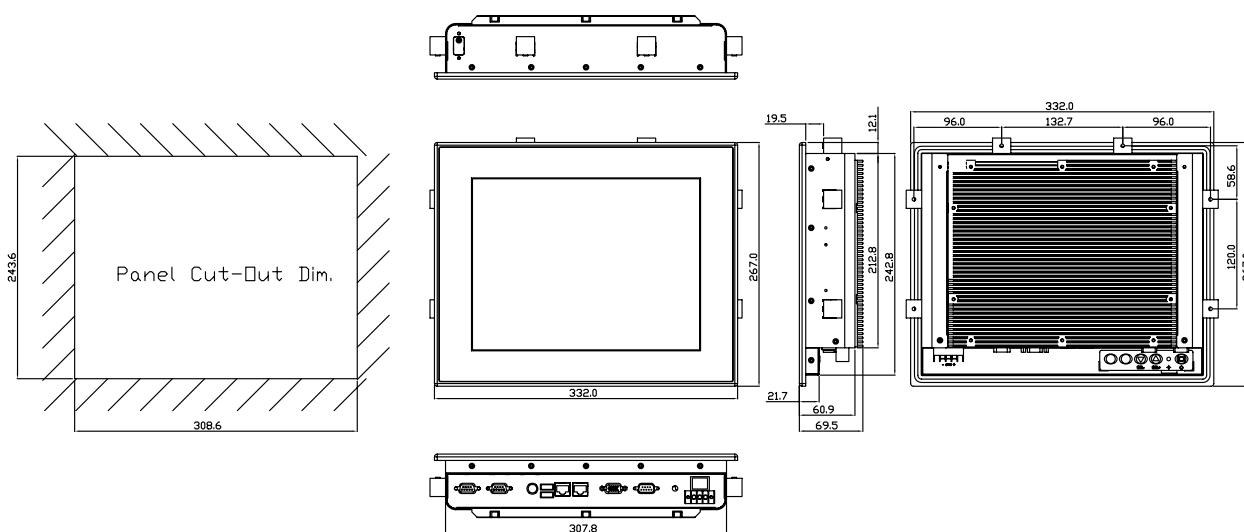
Senses silent fanless industrial panel PCs utilise the Intel 852GM + ICH4 chipset and provide TFT LCD sizes of 10.4", 12.1" and 15.0". The low power Intel Mobile processor and fanless robust chassis with IP65 rated front panel make these models ideal as fast and stable human machine interfaces (HMI) for SCADA applications.

Manufactured from selected high quality industrial components, this model comes with a 12.1" touchscreen display, an anti-vibration mounted storage drive and a mini PCI slot for WLAN applications.

Our production processes are controlled under ISO 9001:2000 and every system undergoes a full diagnostic burn-in prior to shipment.

Systems can be tailored to meet your exact requirements. Each Industrial Panel PC comes with a 2 year warranty.

Dimensions



All dimensions shown in millimetres

Sales: +44 (0) 1273 570 220 Admin: +44 (0) 1273 608 331 Fax: +44 (0) 1273 570 215 Website: www.amplicon.co.uk Email: sales@amplicon.co.uk

Senses 5120S

The information is believed to be accurate. However Amplicon Liveline Limited accepts no responsibility for any problems caused by errors and omissions. Specifications are subject to change without notice.

Specifications

Hardware specification	CPU: Intel Celeron M ULV 1GHz onboard Main memory: 1GB SODIMM DDR RAM Chipset: Intel 852GM + ICH4 Video: Onboard integrated graphics controller Intel 852GM GMCH Audio: AC'97 codec audio LAN: Realtek RTL 8100C PCI Bus 10/100M Base-T Watchdog Timer: 255 levels	Electromagnetic compatibility (EMC)	EN55022 Class A EN55024 Electrostatic discharge immunity test (EN61000-4-2) Radiated, radio-frequency, electromagnetic field immunity test (EN61000-4-3) Electrical fast transient/burst immunity test (EN61000-4-4) Surge Immunity test (EN61000-4-5) Immunity to conducted disturbances induced by radio frequency fields (EN61000-4-6) Voltage dips, short interrupts and voltages variations immunity tests (EN61000-4-11) Limits for harmonic current measurement (EN 61000-3-2) Limitation of voltage changes, voltage fluctuations and flicker (EN 61000-3-3) Amplicon own a fully equipped EMC facility and can provide many additional tests to meet your requirements.
BIOS	Award 4Mbit	Safety	EN60950 CE Marked
Storage	80GB 2.5" Western Digital Scorpio IDE HDD 7200rpm or 8GB Solid state drive on standard systems Support for CompactFlash card type II for ATA interface Please contact us for any other storage or backup requirement		
System expansion	Mini PCI x 1 (type III socket for wireless module / WLAN card)		
System options	Senses 5120S-80GB : With 12.1" Touchscreen LCD, 80GB hard disk drive (5 to 45°C) Senses 5120S-8GB : With 12.1" Touchscreen LCD, 8GB solid state drive (-10 to 55°C)		
Supported OS (Operating System)	Windows XP, Windows 2000 (available via Windows XP Pro downgrade rights), Windows XP Embedded, Windows CE.NET 5.0, Linux Kernel 2.6 If your desired operating system is not listed, please contact us.		
Interfaces (bottom)	VGA: DB-15 connector x 1 Serial: COM1 (selectable RS-232 / 422 / 485), COM2 (RS-232), COM3 (RS-232) PS/2 mini DIN for keyboard / mouse USB 2.0 x 2 Audio Line-out x 1 LAN RJ45 x 2		
LEDs and switches (bottom)	System ON/OFF power switch		
LCD panel	Display type: 12.1" SVGA TFT LCD Max. resolution: 800 x 600 Brightness : 450 nits Viewing angle: 130° (H), 120° (V)		
Touchscreen	Resistance type (via USB)		
Mechanical	Construction: Stainless steel chassis with aluminium front bezel Front panel: IP-65 rated resistant front panel Colour: Black (custom colours available for large orders) Dimensions, Panel: 332.0(W) x 267.0(H) x 8.0(D) mm Dimensions, Case: 307.8(W) x 242.8(H) x 61.5(D) mm Gross weight: Approximately 5.4kg Package gross weight: Approximately 8.0kg		
Mounting orientation	Panel mount (kit supplied as standard) VESA (75 x 75, 100 x 100 mm) / Wall mount (kit optional) Desktop mount (kit optional)		
Environmental operational	Temperature: 5 to 45°C (with hard disk drive option) -10 to 55°C (with solid state drive option) Humidity: 10 to 90% at 40°C non-condensing Vibration: 1.3G, 5 ~ 500GHz, random for 2.5" HDD or solid state drive 3.0G, 5 ~ 500GHz, random for CompactFlash card Please contact us to discuss extended or harsher environmental specifications		
Environmental storage	Temperature: -20 to 60°C Humidity: 5 to 90% at 25°C non-condensing		
Main board power input details	Onboard DC: +16 ~ +28VDC fuse power protection		
External power adapter	Power supply (optional) * Power rating: 72W Voltage wide range: 90 - 264 VAC Frequency: 47 - 63 Hz Nominal voltage output: +24V DC Regulation voltage output: 23.52V ~ 24.48V Maximum input current: 1.5A @ 115VAC, 0.75 @ 230VAC * Please use a linear regulated PSU to power panel PC		

12-08-08

Sales: +44 (0) 1273 570 220 Admin: +44 (0) 1273 608 331 Fax: +44 (0) 1273 570 215 Website: www.amplicon.co.uk Email: sales@amplicon.co.uk