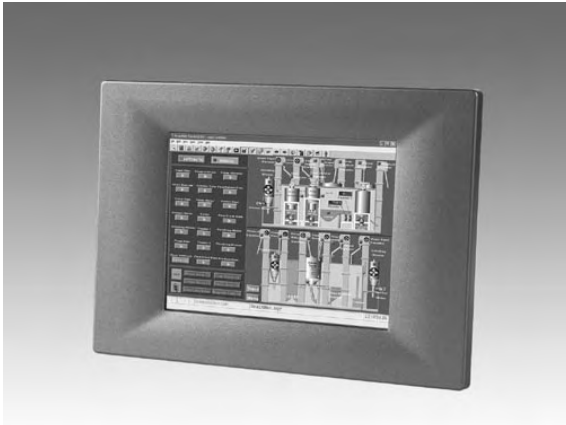


TPC-30T/32T

Intel® PXA270 Touch Panel
Computer with 3.5" QVGA TFT LCD



Features

- Intel® XScale PXA processor on board
- 3.5" color TFT LCD
- Super slim and compact design with plastic housing
- Fanless cooling system
- NEMA4/IP65 compliant front panel
- Built-in flash memory and Windows® CE OS
- One Secure Digital Card slot
- Automatic data flow control RS-485

Introduction

The TPC-30/32T models are compact platforms without redundant functions, which have been designed for small-sized operator interface applications. They have 3.5" TFT LCD display which is a cost effective choice for a limited budget. Its RISC kernel, the Intel XScale PXA processor consumes minimum power without sacrificing performance. The TPC-30/32T has 10/100Base-T Ethernet port offering solid communication ability and comes bundled with a Windows CE OS that supports Thin-Client solutions. The built-in Windows CE OS platform lets TPC-30/32T become an Open HMI solution for system integration.

Specifications

General

- **Certifications** BSMI, CCC, CE, FCC, UL
- **Cooling System** Fanless design
- **Dimensions (W x H x D)** 121 x 85.5 x 26.5 mm (4.76" x 3.37" x 1.75")
- **Enclosure** ABS
- **Mounting** Panel
- **OS Support** Built-in Windows CE
- **Power Consumption** 10 W
- **Power Input** 8 ~ 28 V_{dc}
- **Watchdog Timer** Programmable as 250 ms, 500 ms, 1 second
- **Weight (Net)** 0.8 kg (1.76 lb)

System Hardware

- **CPU** Intel XScale PXA270 312 MHz
- **Expansion Slots** 1 x SD Card
- **Graphics Controller** Controlled by CPU
- **LAN** 1 x 10/100Base-T
- **Memory** 64 MB SDRAM on board
- **Serial Ports** TPC-30T: RS-232/485
TPC-32T: CAN-Bus 2.0b
- **Storage** 32 MB Flash memory on board
- **USB Ports** 1 x USB 1.1 host
- **CAN Port** 1 x Isolated CAN 2.0B Interface
CAN Controller: SJA-1000
CAN Transceiver: 82C250

LCD Display

- **Backlight Life** 30,000 hrs
- **Contrast Ratio** 300:1
- **Display Size** 3.5"
- **Display Type** TFT LCD
- **Luminance (cd/m²)** 250
- **Max. Colors** 64 K
- **Max. Resolution** 320 x 240
- **Pixel Pitch (H x V)** 0.073 X 0.219 mm
- **Viewing Angle (H/V)** 120/110

Touchscreen

- **Type** 4-wire, analog resistive
- **Resolution** 1024 x 1024
- **Light Transmission** Above 75%
- **Lifespan** 10 millions times with a silicone rubber of 8 mm diameter finger

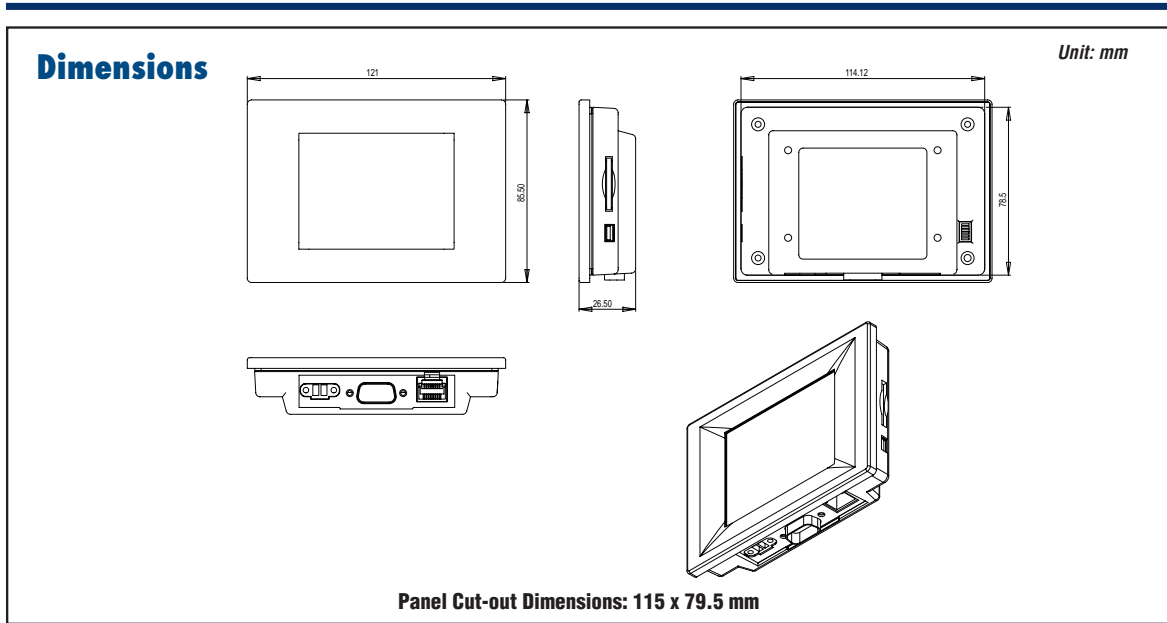
Environment

- **Humidity** 10 ~ 95% RH @ 40° C, non-condensing
- **Ingress Protection** Front panel: NEMA4, IP65
- **Operating Temperature** 0 ~ 50° C (32 ~ 122° F)
- **Storage Temperature** -20 ~ 60° C (-4 ~ 140° F)
- **Vibration Protection** 1 Grms (Random, Operating)

Ordering Information

- **TPC-30T-E2E** 3.5" color TFT LCD Display TPC with PXA270 312 MHz CPU, 64 MB DRAM/32 MB flash on board and Windows CE5.0
- **TPC-32T-E2E** TPC-30T-E2E with CAN-bus support

TPC-30T/32T



Side View



Rear View

