

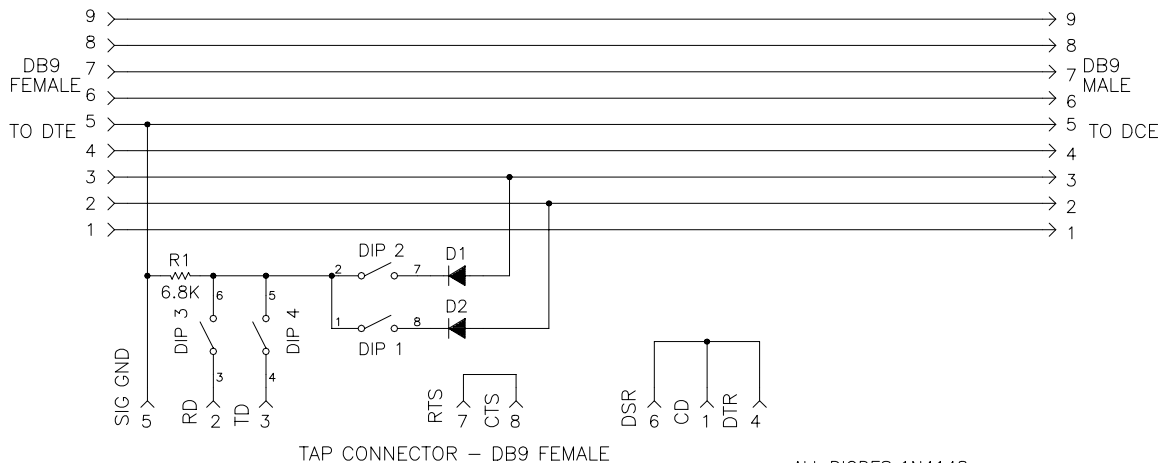
Model: 9PCDT

Tap into Your RS-232 Data Lines

Description

The **9PCDT** allows an RS-232 port to tap into and check the data being transmitted between two other RS-232 ports. Switches make it simple to choose between monitoring the DCE or DTE port. The 9PCDT also allows the monitoring port to be either DTE or DCE.

The DTE connector is male, and the DCE and TAP connectors are female. All nine lines are run through from the DCE to the DTE connectors. On the TAP connector RTS (pin 7) is tied to CTS (pin 8) and DSR (pin 6) is tied to CD (pin 1) and DTR (pin 4). Signal ground (pin 5) is tied into the signal ground for the DCE and DTE connectors.



ALL DIODES 1N4148
 REV1-ADDED R1 FOR HIGHER BAUDRATE
 SUPPORT (UP TO 115.2K) NEWER PC HAD
 PROBLEM PULLING LINE DOWN OR TO -10V

Switch	Description
SW1	Monitor RD (pin 2)
SW2	Monitor TD (pin 3)
SW3	Tap receives data on pin 2
SW4	Tap receives data on pin 3

DECLARATION OF CONFORMITY

Manufacturer's Name: B&B Electronics Manufacturing Company
 Manufacturer's Address: P.O. Box 1040
 707 Dayton Road
 Ottawa, IL 61350 USA

Model Numbers: 9PCDT
 Description: 9-Pin Data Tap
 Type: Light industrial ITE equipment
 Application of Council Directive: 89/336/EEC
 Standards: EN 55022
 EN 61000-6-1
 EN 61000 (-4-2, -4-3, -4-4, -4-5, -4-6, -4-8, -4-11)

Michael J. Fahrion
 Michael J. Fahrion, Director of Engineering



International Headquarters: 707 Dayton Road PO Box 1040 Ottawa, IL 61350 USA
 815-433-5100 Fax 433-5104 www.bb-elec.com orders@bb-elec.com support@bb-elec.com

European Headquarters: Westlink Commercial Park Oranmore Co. Galway Ireland
 +353 91 792444 Fax +353 91 792445 www.bb-europe.com orders@bb-europe.com support@bb-europe.com